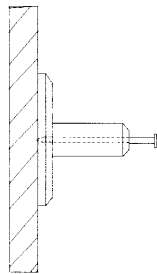


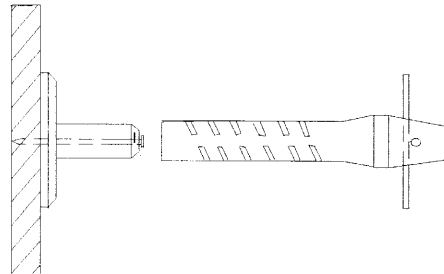
FORM-ANCHOR

FORM-ANCHOR Stainless Steel Grade 304

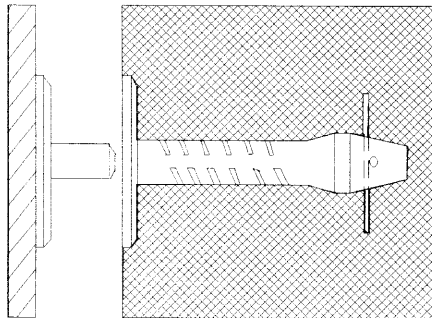
The Form-Anchor is versatile, non-corrosive and used mainly for the securing of single sided and climbing formwork shutters. Easily fixed by use of a pre-fitted locator, enabling quick formwork erection, with no drilling of the plywood. Can also be used for the securing of slab edge formwork, guard rails etc. The Form-Anchor is designed to be used with a 15mm "Dywidag" Thru Tie Rod, or similar system.



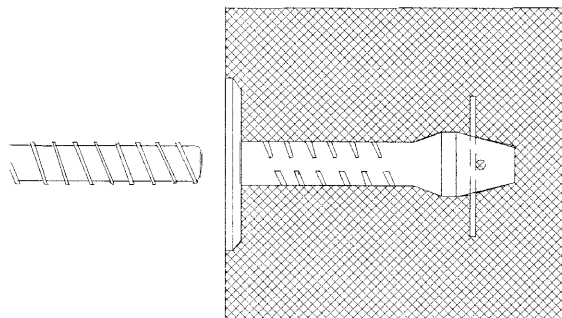
Fit the tapered Stud to the Formwork with pre-fitted nail.



Push Form-Anchor onto stud.



Concrete in, and remove the shuttering formwork.



Screw in the tie-rod (Dywidag)

Specifications :- **Total Length 130mm** **Thread length 65mm** **Failure load 120kN.**

The Form-Anchor has been independently tested in Switzerland by SulzerInnotec AS, to a failure load of 124.687kN in 5 day old, C30 concrete. Please note this a maximum load, in use a safety factor must be applied.



Direct Chemicals
PO BOX 3786, Bracknell
Berkshire, RG12 7TH
Tel: 0118 989 2666
Fax: 0118 989 0929
Email: sales@dichem.co.uk
Web: www.dichem.co.uk

